

UPS Power With Box

Model: KNPSC-100A22



KNPSC-100A22 is secured inside the Metallic Enclosure, providing maximum protection to the power supply and the back-up battery. With a window for inspection on the indicator LED, to monitor the condition of the power supply system.

KNPSC-100A22 is also a multi-purpose voice gateway that provides seamless connectivity from analog telephony, fax or Stored program control exchange PBX to IP voice gateway. It provides 8FXS voice interface, has good voice/fax processing capability, high stability, for operators, enterprises, residential users, companies to provide efficient and high-quality IP voice services. Using the standard SIP protocol, it is compatible with most IP PBX, softswitch and SIP-based call center platforms.

Feature

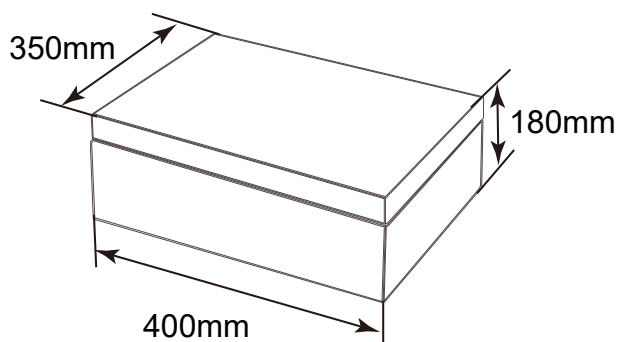
- Power Output : Max 100W.
- Universal AC Input (AC 100~240V).
- Fully Input and Output Protections.
- LED Indicator for AC Power On, Normal DC Output and Battery Charging.
- Built-in Charger for Backup Battery.
- Led status indication.
- Protection : short circuit/overload/overvoltage/Battery low-voltage protection/battery reverse polarity protection by Fuse.
- Support FXS 8 port for RJ11
- Caller ID: DTMF/FSK to display standard
- Support for IPv4 and IPv6
- Support G. 711, G. 729, G. 723, G. 726, Amr, etc.
- Network interface: 1 * Wan, 2 * LAN, 10/100Mbps, RJ45 Ethernet interface.
- Protocol SIP v2.0 (UDP/TCP),RFC3261SDP,RTP(RFC2833) RFC3262,3263,3264,3265,3515,2976,3311,RTP/RTCP



Specification

Model	KNSPC-100A22
Material	Cold rolled steel
Color	Gray
Input Voltage Range	AC 100~240V
Frequency Range	47 ~ 63HZ
DC Output Voltage	13.8V
Output Rated current	4.75A
Output current range	0 ~ 7A
Rated power	100.5W
Protection	short circuit / overload / over-voltage / Battery low-voltage protection / battery reverse polarity protection by Fuse
Telephone interface	8 FXS port, RJ11 interface type
Network interface	1 * Wan, 2 * LAN, 10/100Mbps, RJ45 Ethernet interface
Ni-cd rechargeable battery	12V 22AH
Operating Temperature	-20 ℃ to +70 ℃
Operating Humidity	10 %to 90 % RH
Dimension	350mm*400mm*180mm

Size display



Web: www.koontech.com

Email: marketing@koontech.com

Tel: (HK Office) +852 9068 2799 / (Shenzhen Office) +86 2744 8753

Office:

HK Office: Unit C5, 11/F, Ka To Factory Building, 2 Cheung Yue Street, Cheung Sha Wan, Kowloon, Hong Kong

Shenzhen Office: T3 1001, Yifang Center, Baoan, Shenzhen, China

Factory: KNTECH Building, Phoenix Mountain, Limhai Zone, Shajiao Community, Humen, Dongguan, China